

matrix

SEATING SERIES



PRODUCTS

shaped

AROUND PEOPLE



matrx™ PS POSTURE SEAT

MaTRx PS cushion is designed to provide superior positioning, stability and comfort. The design features an anatomically contoured shape with a unique waffled ischial relief recess, and an innovative reversible outer cover.

REVERSIBLE OUTER COVER:

- Innovative reversible outer cover may be used smooth or fabric side out
- Dartex™ fabric is moisture resistant and breathable
- Velcro® strips

INNER COVER:

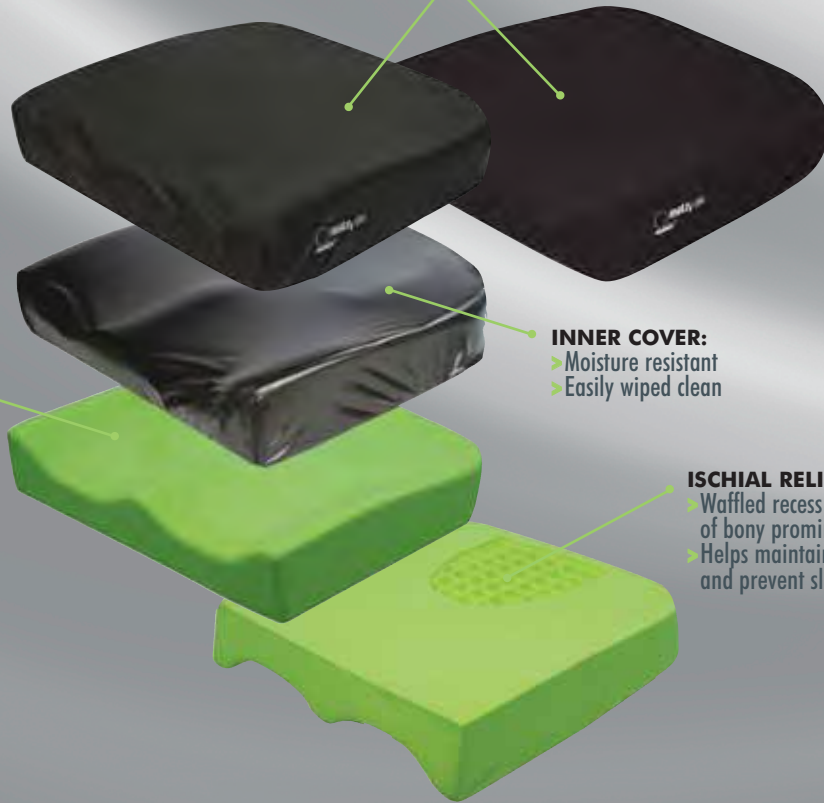
- Moisture resistant
- Easily wiped clean

ISCHIAL RELIEF AREA:

- Waffled recess provides immersion of bony prominences
- Helps maintain pelvic position and prevent sliding

CUSHION:

- Durable HR (high resilient) foam prevents "bottoming out"
- Anatomically molded shape for optimal positioning and comfort
- Rear radius for sacral support
- Waterfall front edge
- Made with Ultra-Fresh™ for antibacterial and odor protection



STANDARD SIZES

width	16"	18"	20"
depth			
16"	●	●	●
18"	●	●	●
20"	●	●	●

Weight capacity 300 lbs.
Approximate Cushion weight is 2 lbs

➤ CUSTOM MODIFICATIONS



- Leg length discrepancies, width/depth reductions
- Foam, inner and outer covers modified to your specifications

➤ CUSHION RIGIDIZER



- Lightweight, slim profile solid seat insert
- Contoured to eliminate "hammock effect" of sling upholstery

➤ PELVIC OBLIQUITY KIT



- Easily installed on MaTRx PS cushions
- Accommodates 1/2" or 1" obliquities
- Must be specified at the time of order - cushion modification required



MaTRx-Vi cushion is designed to provide skin protection and positioning for users at moderate to high risk of skin breakdown. The unique 3 part foam construction targets skin protection to where it is needed most, and features improved stability, support and comfort.

OUTER COVER:

- Moisture resistant and breathable
- Includes non-slip base, Velcro® strips, lifting strap and convenient side pocket
- Available in black or Kid*ab*ra print

TOP LAYER:

- Soft (ILD) High Resilient (HR) foam for optimal comfort and support
- Pre-ischial contour provides stability to pelvis
- Abductor/adductor contour promotes midline leg positioning
- Made with Ultra-Fresh™ for antibacterial and odor protection

BOTTOM LAYER:

- Firm (ILD) High Resilient (HR) foam for support and durability
- Trochanteric shelf provides stability to hips
- Waterfall front edge
- Rear radius for sacral support

INNER COVER:

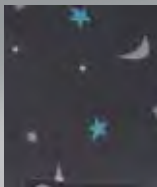
- Moisture resistant
- Easily wiped clean
- Zippered cover allows access for cushion modifications

VISCO FOAM INSERT:

- Molded visco-elastic foam ischial relief insert
- Anatomically targeted to provide immersion of sensitive bony prominences



PEDIATRIC SIZES



width	12"	14"
depth		
12"	●	●
14"	●	●

Kid*ab*ra fabric standard
black fabric optional

Weight capacity 150 lbs.

STANDARD SIZES

width	14"	16"	18"	20"	22"
depth					
15"	●				
16"		●	●	●	
17"	●				
18"		●	●	●	●
19"					
20"		●	●	●	●

Weight capacity 300 lbs.

BARIATRIC (HEAVY DUTY) SIZES

width	18"	19"	20"	21"	22"	23"	24"	25"	26"	27"	28"	29"	30"
depth													
18"				●	●	●	●	●	●	●	●	●	●
19"				●	●	●	●	●	●	●	●	●	●
20"				●	●	●	●	●	●	●	●	●	●
21"	●	●	●	●	●	●	●	●	●	●	●	●	●
22"	●	●	●	●	●	●	●	●	●	●	●	●	●
23"	●	●	●	●	●	●	●	●	●	●	●	●	●
24"	●	●	●	●	●	●	●	●	●	●	●	●	●
25"	●	●	●	●	●	●	●	●	●	●	●	●	●
26"	●	●	●	●	●	●	●	●	●	●	●	●	●

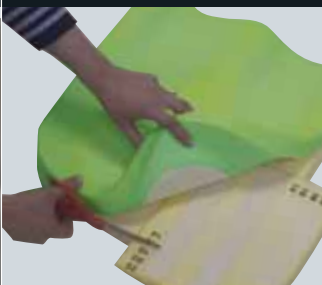
Weight capacity 600 lbs.

➤ DROP BASE



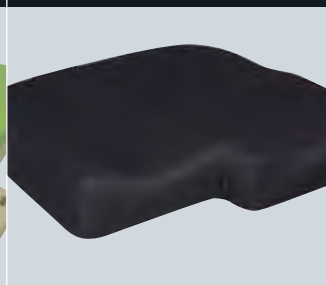
- Includes built-in drop base, drop hooks, DuraClip fasteners
- Allows adjustment of seat angle

➤ PELVIC OBLIQUITY KIT



- Easily installed on all MaTRx-Vi /Kid*ab*ra-Vi cushions/bases
- Accommodates 1/2" or 1" obliquities

➤ CUSTOM MODIFICATIONS



- Leg length discrepancies, width/depth reductions
- Foam, inner and outer covers modified to your specifications

➤ DARTEX™ COVER



- Outer cover available in smooth or fabric side out
- Moisture resistant

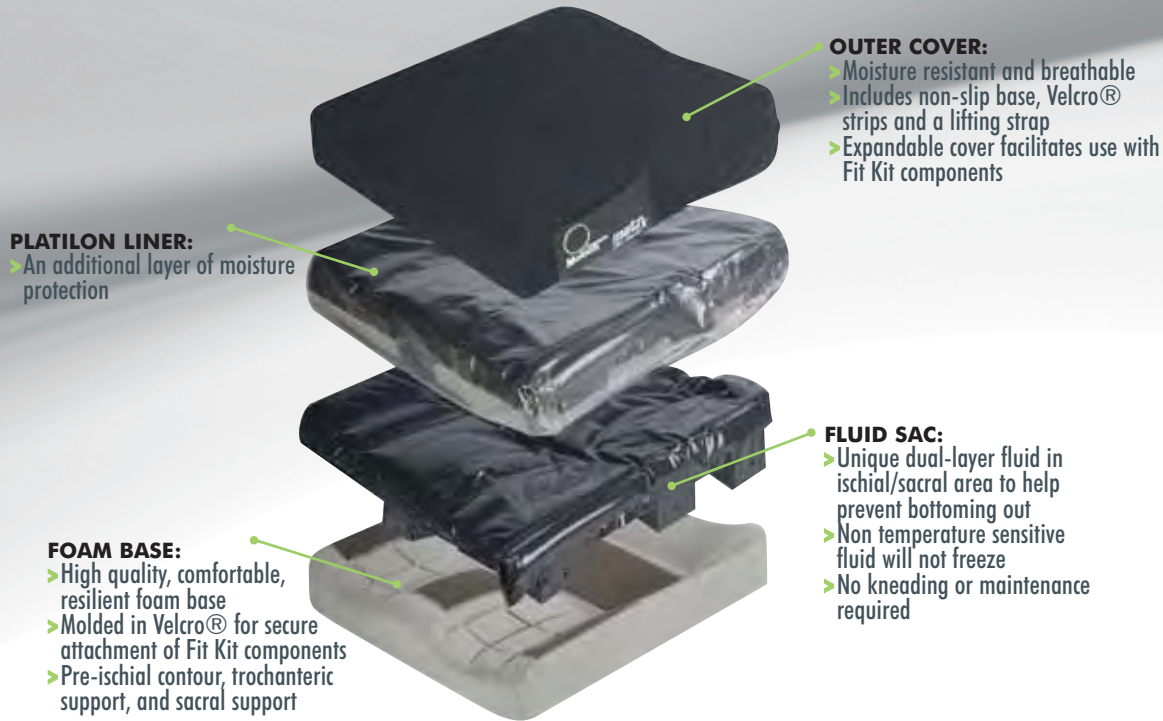
➤ CUSHION RIGIDIZER



- Lightweight, slim profile solid seat insert
- Contoured to eliminate "hammock effect" of sling upholstery



MaTRx Flo-tech cushion uses a combination of molded foam and dual layer fluid sacs to provide the highest level of skin protection for users with high risk of skin breakdown. The Fit Kit components are available to address individual postural requirements.



PLATILON LINER:
 > An additional layer of moisture protection

FOAM BASE:
 > High quality, comfortable, resilient foam base
 > Molded in Velcro® for secure attachment of Fit Kit components
 > Pre-ischial contour, trochanteric support, and sacral support

OUTER COVER:
 > Moisture resistant and breathable
 > Includes non-slip base, Velcro® strips and a lifting strap
 > Expandable cover facilitates use with Fit Kit components

FLUID SAC:
 > Unique dual-layer fluid in ischial/sacral area to help prevent bottoming out
 > Non temperature sensitive fluid will not freeze
 > No kneading or maintenance required

STANDARD SIZES

width	14"	15"	16"	17"	18"	19"	20"
depth							
14"	•						
16"	•	•	•	•	•	•	•
17"		•	•	•	•	•	•
18"		•	•	•	•	•	•
19"		•	•	•	•	•	
20"		•	•	•	•	•	
21"		•	•	•	•	•	

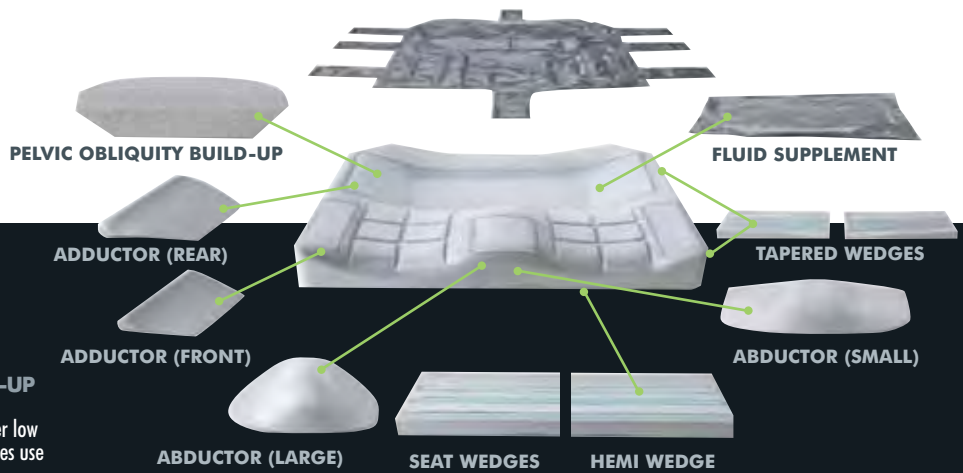
Weight capacity 300 lbs.

BARIATRIC (HEAVY DUTY) SIZES

width	20"	21"	22"	23"	24"
depth					
18"		•	•		
20"	•	•	•	•	•
22"	•	•	•	•	•

Weight capacity 500 lbs.

FIT KIT COMPONENTS:



> SEAT WEDGES
 Increases degree of pre-ischial contour angle to help prevent sliding

> FLUID SUPPLEMENT
 May be placed to provide pelvic obliquity accommodation or increased sacral/ischial immersion

> HEMI WEDGE
 May be used to provide increased support to one lower extremity – useful for clients who use foot propulsion or with hip flexion limitations

> TAPERED WEDGES
 Accommodates mild pelvic rotation, mild hip flexion discrepancies or increases adductor contour

> ABDUCTOR SMALL - Provides ¾" increased height of abductor contour
LARGE - Provides 2" increased height of abductor contour

> PELVIC OBLIQUITY BUILD-UP
 Accommodates obliquities up to 1". For correctable obliquities use under low side of pelvis and for fixed obliquities use under high side of pelvis

> ADDUCTORS
FRONT - Provides increased adductor contour to thighs
REAR - Provides increased adductor contour to hips



solutions
FOR THE WIDEST RANGE
of CLIENT NEEDS



matrx™ pb

POSTURE BACK

MaTRx-PB Posture Back is contoured to provide midline support and positioning. The extensive range of sizes provides exceptional comfort and support for a wide range of user needs.

OUTER COVER:

- Moisture resistant and breathable
- Available in black or Kid*ab*ra print

SACRAL/LUMBAR SUPPORT:

- Includes removable positioning pad

BACK SHELL:

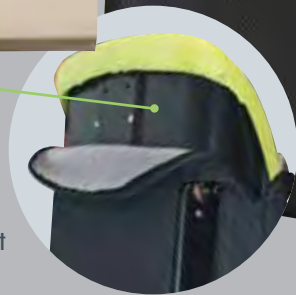
- Contoured shell (standard/deep) provides exceptional midline support and positioning
- Durable, lightweight ABS back shell includes built-in plate for headrest attachment

FOAM:

- Molded foam wraps around shell for maximum comfort and protection

HARDWARE:

- "Easy Set" hardware is easily installed and adjusted in minutes — adjustments can be made while user is seated in the wheelchair
- Quick release for easy portability
- Infinite adjustment of depth (4"), angle (40°) and rotation
- Fits 3/4", 7/8" and 1" diameter back canes
- Adjusts to fit chairs 1" narrower to 1" wider



Kid*ab*ra fabric optional



5" CONTOUR DEPTH-STANDARD



7" CONTOUR DEPTH-DEEP



STANDARD POSTURE BACK

width	14"	16"	17"	18"	20"
height					
12"	●	●	●	●	●
16"	●	●	●	●	●
20"		●	●	●	●

Weight capacity 300 lbs.

HEAVY DUTY POSTURE BACK

width	20"	22"	24"
height			
16"	●	●	●
20"	●	●	●

Weight capacity 500 lbs.

EXTRA WIDE POSTURE BACK

width	24"	25"	26"	27"	28"	29"	30"
height							
16"	●	●	●	●	●	●	●
20"	●	●	●	●	●	●	●

Weight capacity 500 lbs.

➤ CANE REPLACEMENTS



- Replaces existing back canes which are less than 1" diameter for use with any MaTRx back

➤ FOAM-IN-PLACE KIT



- Individually molded insert produced in minutes with user seated in back
- Optional high stretch cover available

➤ EXTENDED MOUNTING PINS



- Extended mounting pins available for MaTRx-PB & Elite. Not available on Heavy Duty PB backs
- Allows the back to fit chairs up to 2" wider

➤ VISCO FOAM UPGRADE



- Laminate of 1/2" high resilient foam and 5/8" Visco Foam
- Available on MaTRx PB and Elite backs
- Molded foam is not available on MaTRx PB with this option

➤ HEADREST ADAPTER



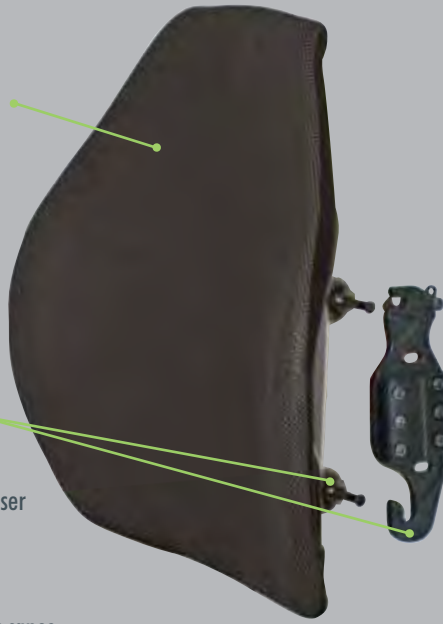
- Allows the headrest to be mounted directly onto MaTRx Elite backs
- Available in 3 sizes

matrx™ pb elite

MaTRx PB Elite back is designed to provide precise orientation within the wheelchair for optimal postural support. The attractive, lightweight design appeals to users with active lifestyles.

OUTER COVER:

- > Oversized cover/foam for extra comfort and protection
- > Moisture resistant and breathable cover (Optional Kid*ab*ra print)
- > Includes removable lumbar positioning pad



HARDWARE:

- > "Easy Set" hardware installed and adjusted in minutes – adjustments can be made while user is seated in the wheelchair
- > Quick release for easy portability
- > Infinite adjustment of depth (4"), angle (40°) and rotation
- > Fits 3/4", 7/8" and 1" diameter back canes
- > Adjusts to fit chairs same width or 1" wider

BACK SHELL:

- > Stylish and breathable back shell
- > Lightweight - most models under 3 lbs



- ## SACRAL/LUMBAR SUPPORT:
- > Includes removable positioning pad

3" CONTOUR DEPTH



ELITE BACK

	width	12"	13"	14"	15"	16"	17"	18"	19"	20"
	height									
short	10"	●	●	●	●	●	●	●	●	●
	12"	●	●	●	●	●	●	●	●	●
mid	14"	●	●	●						
	16"	●	●	●	●	●	●	●	●	●
tall	18"	●	●	●	●	●	●	●	●	●
	20"			●	●	●	●	●	●	●
	20" Full Back*				●	●	●	●	●	●

Weight capacity 300 lbs.

* Optional Full back style - no scapular cut-outs



> SWING-AWAY



- > 2 1/2" of vertical adjustment on back pan
- > Mount inside back shell without interfering w/depth/angle adjustment
- > Easy push button release
- > 4 pad sizes: XS, S, M & L

> OFFSET SWING-AWAY



- > Provides an additional 3" of vertical position (higher or lower) relative to mounting slots
- > Mount inside back shell without interfering w/depth/angle adjustment
- > Easy push button release
- > 4 pad sizes: XS, S, M & L

> LATERAL PADS



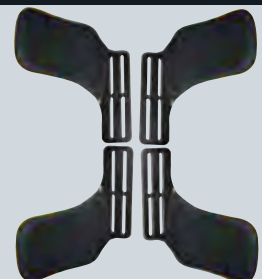
- > Lateral Pads are available in 4 pad sizes: XS, S, M & L
- XS: 3.25" high x 4.25" long
- S: 3.5" high x 5.25" long
- M: 3.75" high x 5.75" long
- L: 4.25" high x 6.5" long

> FIXED



- > 2 1/2" of vertical adjustment on back pan
- > Mount inside back shell without interfering with depth/angle adjustment
- > Available in standard and pediatric sizes

> OFFSET FIXED



- > Provides an additional 3" of vertical position (higher or lower) relative to mounting slots

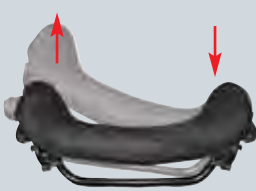
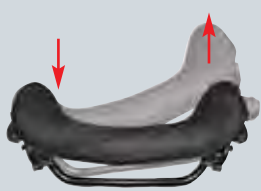
EASY-SET HARDWARE ADJUSTMENTS



DEPTH 4"
>2" in front or
behind back
canes



**ANGLE
ADJUSTMENT**
>40° range of
back angle
adjustment



ROTATION
>Back may be
oriented to
accommodate
pelvic/trunk
rotation

MOUNTING HARDWARE OPTIONS



① HEAVY DUTY "EASY SET" MOUNTING HARDWARE

- >Standard with Heavy Duty Posture Backs
- >Recommended for users over 300 lbs, high tone or heavy use

② FIXED SPACE SAVER MOUNTING HARDWARE

- >Requires tools for removal
- >Saves space for tighter width applications
- >Fully adjustable

③ SPLIT MOUNTING HARDWARE

- >Provides clearance of mid back cane rigidizer bars
- >Not recommended for Heavy Duty Posture backs
- >Available as a no charge option

④ EXTENDED SHEAR REDUCTION MOUNTING HARDWARE

- >Allows all MaTRx backs to be mounted directly to Motion Concepts TRx seating with Power Recline and ESR



PRODUCTS
shaped
AROUND PEOPLE



matrx™ GENERA

MaTRx Genera back provides support and comfort at a price so affordable that no wheelchair user needs to make do with sling upholstery.



GENERA BACK HIGHLIGHTS:

- > Attractive, water resistant and breathable cover, vinyl backed
- > Hardware fits 3/4", 7/8" and 1" back canes
- > Provides 1" depth and 20° recline adjustability
- > Quick release hardware for easy portability
- > Sturdy contoured shell, durable plated steel hardware
- > Built-in T-nuts for headrest attachment
- > Hardware adjusts to fit chairs 1" wider than back model width

STANDARD SIZES

width	16"	18"	20"
height			
16"	●	●	●
20"	●	●	●

Weight capacity 300 lbs.

matrx™ HIGH BACK

MaTRx High back is a stylish option with a built-in head support - great for tilt/recline applications

HIGH BACK HIGHLIGHTS:

- > Removable, water resistant, breathable cover
- > Adjustable lumbar and neck support
- > Adjustable molded foam lateral wedges
- > Sacral/lumbar pad
- > Fits 7/8" or 1" diameter back canes

STANDARD SIZES

width	16"	17"	18"	19"	20"	21"
height						
20"	●	●	●	●	●	●
25"	●	●	●	●	●	●
30"	●	●	●	●	●	●

Weight capacity 300 lbs.



matrx™ CONTOUR BACK

MaTRx Contour back provides comfortable back support with a limited amount of adjustability for users with basic positioning needs.

CONTOUR BACK HIGHLIGHTS:

- > Moisture resistant, breathable cover
- > Mildly contoured for gentle midline support
- > Ergonomically contoured aluminum back pan
- > Fixed hardware on back canes, small range of depth recline adjustment
- > Fits 7/8" or 1" diameter back canes

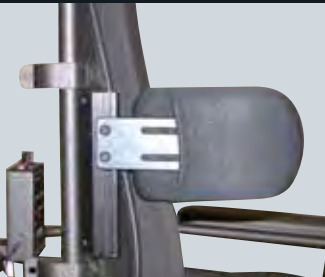
STANDARD SIZES

width	15"	16"	17"	18"	19"	20"	21"	22"
height								
12"	●	●	●	●				
15"	●	●	●	●	●	●	●	●
17"	●	●	●	●	●	●	●	●
21"		●	●	●		●		●

Weight capacity 300 lbs.



> PELVIC/THORACIC FIXED LATERAL SUPPORTS



- > Designed especially for MaTRx Contour or High Backs providing infinite/easy adjustability up and down
- > 3 pad sizes: S, M & L

> SWINGAWAY LATERAL SUPPORTS



- > Designed especially for MaTRx Contour or High backs providing infinite/easy adjustability and obstruction-free transfers
- > 3 pad sizes: S, M & L

> LATERAL PADS

- Small 
- Medium 
- Large 

- > Lateral Pads are available in 3 pad sizes: S, M & L
- S: 3.5" high x 5.25" long
- M: 3.75" high x 5.75" long
- L: 4.25" high x 6.5" long

> EXTENDED SHEAR REDUCTION MOUNTING HARDWARE



- > Allows MaTRx backs to be mounted directly to Motion Concepts TRx power seating systems with recline

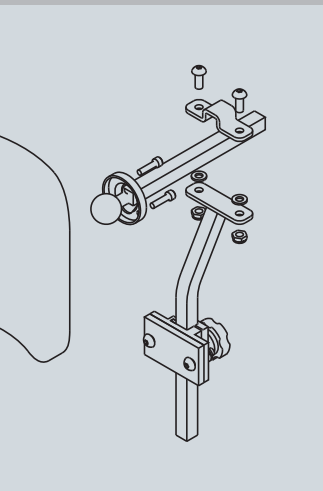
> ONYX UPGRADE



- > Faux Leather automotive look
- > Available on MaTRx Contour back and High back

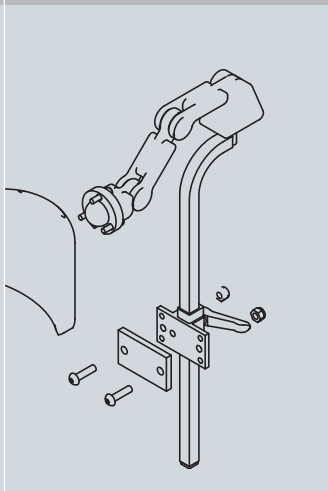
HEAD SUPPORT HARDWARE OPTIONS

STANDARD HARDWARE



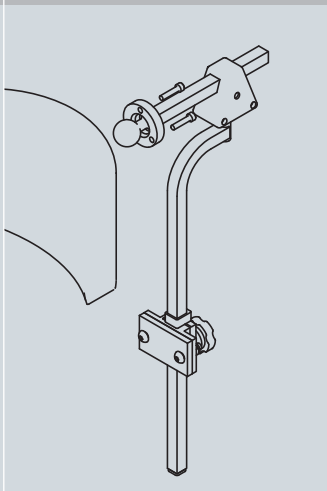
- Comes standard with Otto Bock, Standard & Stealth Comfort Plus Pads

STEALTH "WORLD'S BEST"



- Upgrade option for Otto Bock, Standard & Stealth Comfort Plus Pads
- Dual pivot balls for pad orientation
- Depth adjustable through dual link system
- Height adjustable
- Includes mounting clamp for attachment to back with latch style release for headrest removal

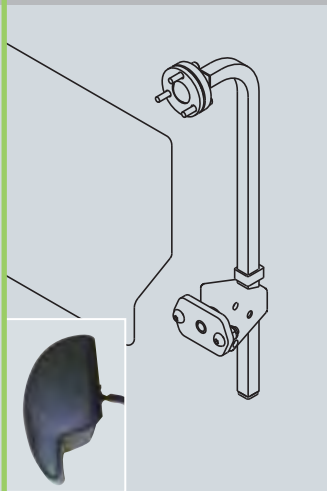
MULTI-AXIS



- Upgrade option for Otto Bock, Standard & Stealth Comfort Plus pads
- Dual pivot balls for pad orientation
- Depth adjustable through horizontal slide bar
- Height adjustable
- Includes mounting clamp for attachment to back with knob style release for headrest removal

HEAD SUPPORT KIT

ONYX AUTO STYLE KIT



- Onyx leatherette cover
- Auto-style contouring
- 8" wide x 8" high x 4" thick
- Dual pivot ball for pad orientation
- Limited adjustability – recommended for Contour or High backs
- Height adjustable
- Includes fixed mount clamp

HEAD PAD OPTIONS

OTTO BOCK



- Easy to clean self skinning polyurethane foam
- Anatomically shaped to provide lateral flexion control
- 7" wide x 5" high or 9" wide x 6" high

STANDARD



- Easy to clean self skinning polyurethane foam
- Gentle lateral contouring
- 6½" wide x 7" high

STEALTH COMFORT PLUS



- Soft, comfortable layered foam on coated metal shell
- Removable, washable cover
- Four pad sizes: 8", 10" or 14" wide x 6" high and 6" wide x 3¾" high

POSITIONING STRAP OPTIONS

PADDED LAP BELTS



- 2" wide belts, comfortable padding
- Center pull tightening, push release buckle
- 2 or 4 point attachment

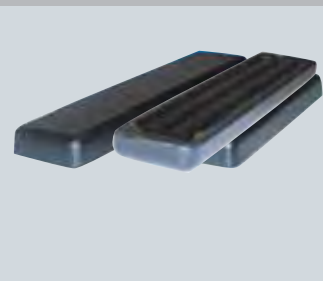
AIR MESH CALF STRAP



- Available in 4 sizes: M, L, MD, LG
- For 15" - 18" wide chairs
 - M: 3.5" high
 - MD: 9" high
- For 18" - 22" wide chairs
 - L: 3.5" high
 - LG: 9" high

ARMPAD OPTIONS

MULTIPOSITION ARM PADS



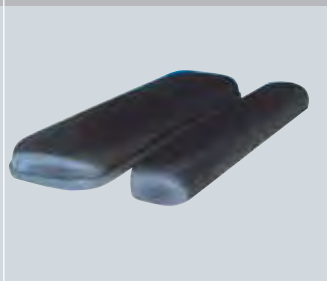
- Soft, gel-like feel provides extra comfort and protection for arms
- Highly durable skinned polyurethane resists cracking and peeling
- Triple track extrusion allows adjustability of mounting position and attachment location for other accessories
- 3" wide; desk length 10" or full length 12"

ERGONOMIC ARM TROUGH/HAND PAD KIT



- Molded, skinned polyurethane fits the natural arm curvature
- Unique cut-out at elbow provides users with flexibility of various arm positions
- Triple track extrusion allows a variety of mounting positions
- Complete with flat hand pad or interfaces with other manufacturer's hand pieces

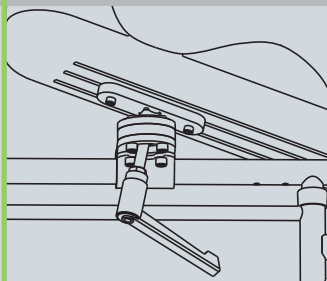
GEL ARM PADS



- Fabric covered polymer gel arm pads
- Provides extra protection for highly sensitive arms
- Available in 3 models:
 - Std. Narrow: 2" wide x 12" long
 - Std. Wide: 3½" wide x 12" long
 - Long Wide: 3½" wide x 14" long

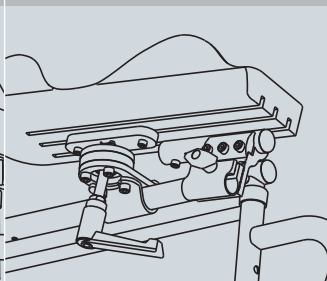
POSITIONING STRAP OPTIONS

MULTI AXIS ARMREST MOUNT



- Allows infinite adjustment of angle and rotation of arm pad
- Interfaces with multiposition arm pad

JOYSTICK MOUNTING BAR FOR MULTI AXIS ARMREST MOUNT



- Available for ¾" or 7/8" joystick bar size



matrix
SEATING SERIES

MANUFACTURED BY:



Motion Concepts
84 Citation Dr., Unit 1-7
Concord, ON L4K 3C1
Toll Free Tel: 1.866.748.7943
Tel: 905.695.0134
Fax: 905.695.0138

DISTRIBUTED IN USA BY:



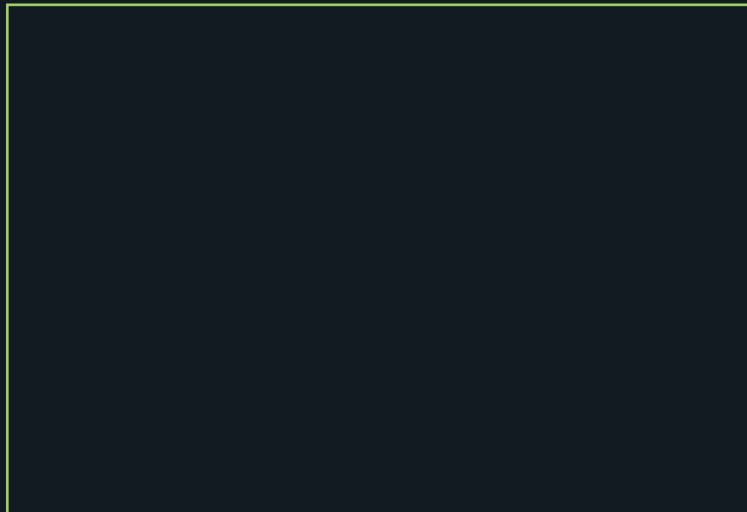
Motion Concepts
700 Ensminger Rd., Suite 112
Tonawanda, NY 14150
Toll Free Tel: 1.888.433.6818
Toll Free Fax: 1.888.433.6834

DISTRIBUTED IN CANADA BY:



Invacare Canada
570 Matheson Blvd East, Unit 8
Mississauga, Ontario L4Z 4G4
Toll Free: 800.668.5478
Fax: 905.361.1303
www.invacare.ca

DISTRIBUTED BY:



Cover Photo:

Anita is an inspiration to everyone she meets. Her greatest joy is spending time with her vivacious 2 year old daughter, Olivia and loving husband, Bobby. In her spare time she enjoys visiting with friends, reading, swimming and sailing. Anita is set to complete her Doctorate in Rehabilitation Science and looks forward to continuing to make a difference.